

2000 **SX** OWNER'S MANUAL

- Betriebsanleitung • Manual del usuario
- Manuel de l'utilisateur • Manuale del proprietario
- Handleiding • Manual do proprietário • **オーナーズマニュアル**

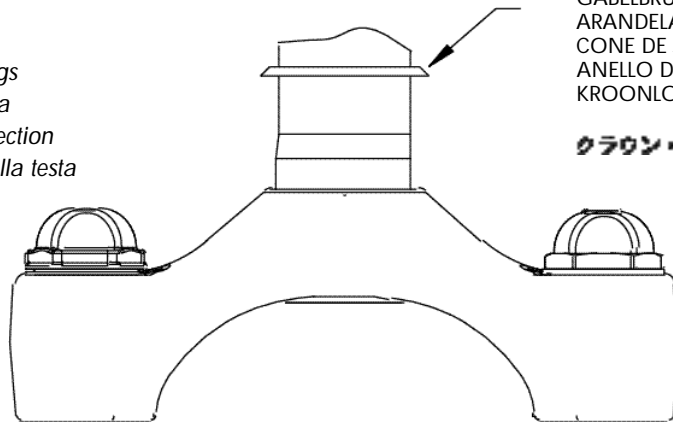


Answer Products

28209 Avenue Stanford, Valencia, California 91355-3984
Phone: 661.257.4411 • Sales Fax: 661.294.4179

1

Race Installation
 Einbau des Steuersatzrings
 Instalación de la arandela
 Installation du jeu de direction
 Montaggio dell'anello della testa
 Installatie van loopring
 Instalação do canaleta
レースの取り付け

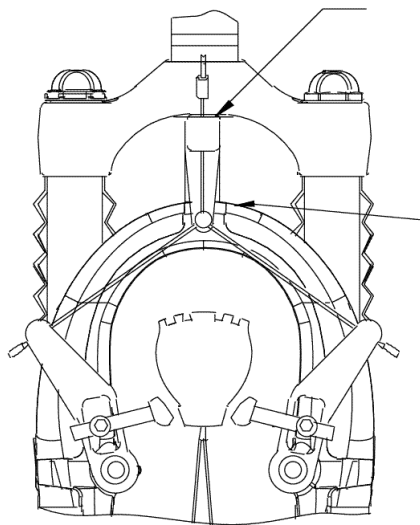


CROWN RACE
 GABELBRÜCKEN-STEUERSATZRING
 ARANDELA DE LA DIRECCIÓN
 CONE DE JEU DE DIRECTION
 ANELLO DELLA TESTA
 KROONLOOPRING
 頂ROA

クラウン・レース

2

Brake cable routing
 Bremskabelführung
 Trayectoria del cable del freno
 Disposition du câble de frein
 Montaggio del cavo del freno
 Remkabelroutering
 Percurso do cabo de freio
ブレーキ・ケーブルの設置



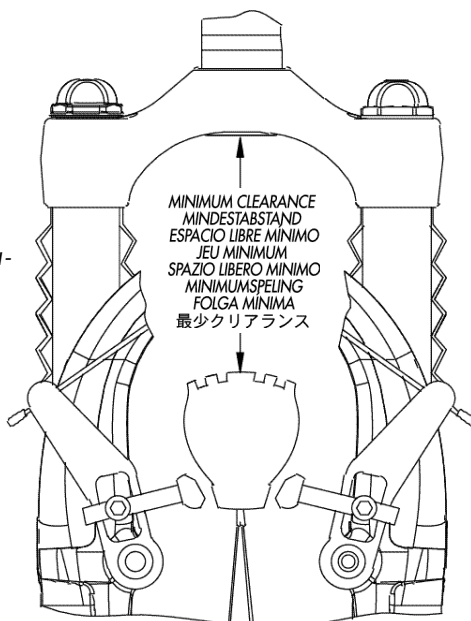
CABLE HANGER
 KABELHALTER
 TOPE DEL CABLE
 CROCHET DE SUSPENSION DE CÂBLE
 SOSTEGNO PER IL CAVO
 KABELHANGER
 SUPORTE DO CABO

ケーブル・ハンガー

BRAKE ARCH
 BREMSBRÜCKE
 ARCO DEL FRENO
 ARCEAU
 ARCHETTO DEL FRENO
 REMBOOG
 ARCO DO FREIO
ブレーキ・アーチ

3

Tire clearance
 Reifenabstand
 Espacio libre de la cubierta
 Distance arceau/pneu
 Spazio libero del pneumatico
 Bandspeling
 Folga do pneu
タイヤクリアランス



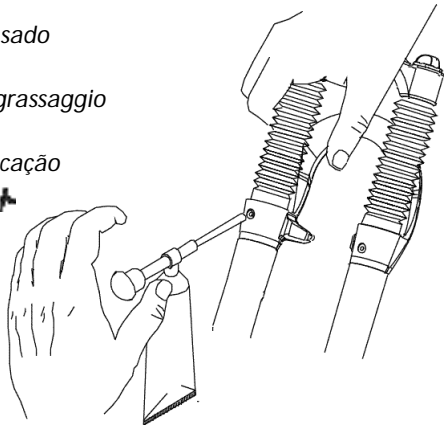
MINIMUM CLEARANCE
 MINDESTABSTAND
 ESPACIO LIBRE MÍNIMO
 JEU MINIMUM
 SPAZIO LIBERO MINIMO
 MINIMUMSPELING
 FOLGA MINIMA
 最少クリアランス

| FORK MODEL GABELMODELL MODELO DE HORQUILLA MODELE DE FOURCHE MODELLO DI FORCELLA VORKMODEL MODELO DO CABO | MINIMUM CLEARANCE MINDESTABSTAND ESPACIO LIBRE MÍNIMO JEU MINIMUM SPAZIO LIBERO MINIMO MINIMUMSPELING FOLGA MINIMA |
|---|--|
| フォーク・モデル | 最少クリアランス |

| | |
|------------------------------------|--------------|
| 80 mm travel forks | 3.2" (81 mm) |
| Gabel mit 80 mm Auslenkung | 81 mm |
| Horquillas con recorrido de 80 mm | 81 mm |
| Fourches ayant une course de 80 mm | 81 mm |
| Forcelle con corsa da 80 mm | 81 mm |
| Loop van 80 mm | 81 mm |
| Curso de 80 mm | 81 mm |
| 80 mm 動程 | 81 mm |

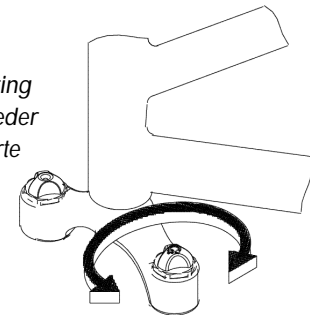
4

Grease port
 Schmieröffnung
 Orificio de engrasado
 Graisseur
 Apertura per l'ingrassaggio
 Smeergat
 Orificio de lubrificação
グリス・ポート



6

Fine tuning compression spring
 Feinabstimmung der Druckfeder
 Ajustes de precisión al resorte de compresión
 Réglages fins des ressorts de compression
 Messa a punto della molla di compressione
 Fijnafstelling van drukveer



圧縮スプリングの微調整

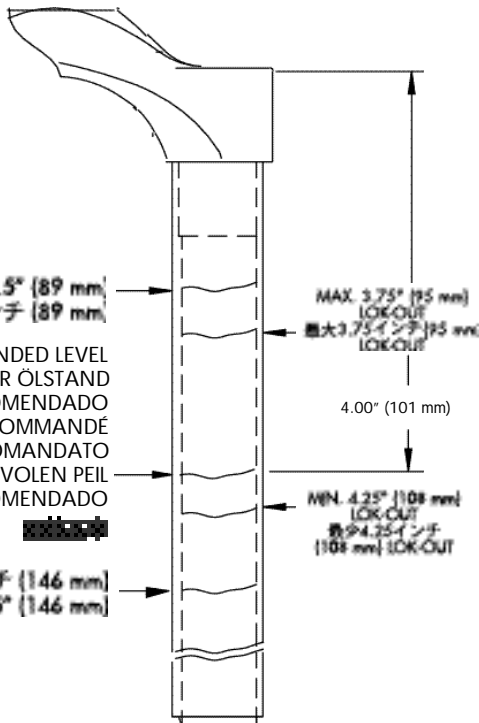
te preciso

ROTATE
DREHEN
GIRAR
TOURNER

RUOTARE
DRAAIEN
GIRAR
回す

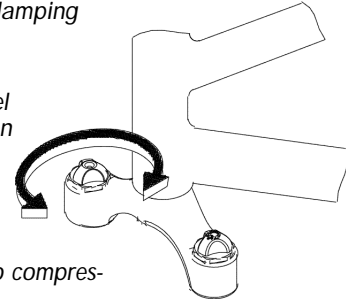
5

Oil level
 Ölstand
 Nivel del aceite
 Niveau d'huile
 Livello dell'olio
 Olipeil
 Nível do óleo
オイルの量



7

Fine tuning compression damping
 Feinabstimmung der Druckstufendämpfung
 Ajuste de precisión para el sistema de amortiguación de compresión
 Réglages fins de l'amortissement de la compression
 Messa a punto del gruppo compressione di smorzamento
 Fijnafstelling van drukdemping
 Ajuste de precisão do amortecimento de compressão



コンプレッション・ダンピングの微調整

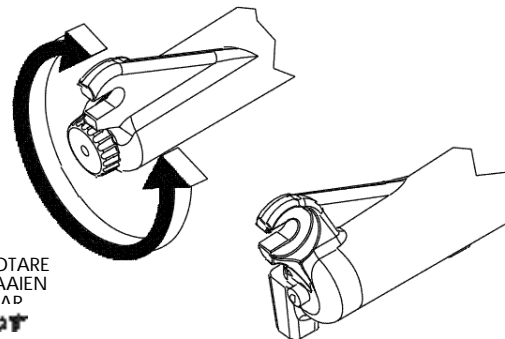
ROTATE
DREHEN
GIRAR
TOURNER

RUOTARE
DRAAIEN
GIRAR
回す

8

Fine tuning rebound damping
 Feinabstimmung der Zugstufendämpfung
 Ajuste de precisión para la amortiguación de rebotes
 Réglages fins de l'amortissement de la détente
 Messa a punto dello smorzamento all'estensione
 Fijnafstelling van terugveringdemping
 Ajuste de precisão do ressalto de amortecimento

リバウンド・ダンピングの微調整



ROTATE
DREHEN
GIRAR
TOURNER

RUOTARE
DRAAIEN
GIRAR
回す

ANSWER PRECISION SUSPENSION

CONGRATULATIONS FOR CHOOSING THE LATEST STATE-OF-THE-ART MOUNTAIN BIKE SUSPENSION FORK AVAILABLE. THE 2000 SX MODELS USE THE LATEST ONE-PIECE OUTER LEG/ARCH TECHNOLOGY. BOTH HAVE STATE-OF-THE-ART MCU/SPRING COMPRESSION SYSTEMS. THE SX SERIES USES THE NEW TWIN PISTON CARTRIDGE SYSTEM (TPC) THAT SURPASSES ALL OTHER TYPES OF OIL-DAMPED SYSTEMS IN PERFORMANCE AND DURABILITY.

Your SX fork is fully assembled and ready to be installed onto your bicycle and comes equipped with a 1-1/8" threadless steer tube. SX's are available with the V-brake cable hangerless arch, post-style disk brake mounts, and have an optional attachable cable hanger which is available through your dealer.

CONSUMER SAFETY INFORMATION

IMPORTANT: The SX fork is an off-road fork, and as such, does not come with proper reflectors for on-road use. Have your dealer or mechanic install proper reflectors to meet the Consumer Product Safety Commission's (C.P.S.C.) Requirements for Bicycles if the fork is going to be used on public roads at any time. If you have questions regarding C.P.S.C. Standards contact your dealer.

1. Never remove or have the steer tube or stanchions removed from the crown. The steer tube and stanchions (inner legs) are press fit assembled at the factory. Pressing them out will permanently damage the crown beyond repair and render it unsafe for any continued use.
2. Never attempt to thread a threadless steer tube. Machining threads will weaken the steer tube and cause an unsafe condition. The only safe thing to do is to obtain the proper crown/steerer from your dealer.
3. Any other alterations or modifications to your fork should be considered unsafe. Contact Answer Products Technical Support prior to modifying your fork in any way for safety information.
4. Do not use the SX fork if any parts are broken, bent, cracked, or damaged. Contact your dealer or Answer Products Technical Support, (661) 257-4411, if you have any questions concerning the integrity or condition of your fork.
5. Answer Products recommends that you periodically inspect your fork for wear and damage. Inspect the crown, inner legs, outer leg dropout and brake arch areas for cracks or damage. Before every ride check to ensure that the proper preload exists and that the positive rebound stop is in order to ensure that the fork can not over extend.

WARRANTY INFORMATION

Any Answer Products fork found by the factory to be defective in materials and/or workmanship within one year from the date of purchase will be repaired or replaced at the option of the manufacturer, free of charge, when received at the factory, freight prepaid. This warranty does not cover breakage, bending, or damage that may result from crashes or falls. This warranty does not cover any fork that has been subject to misuse or whose serial number has been altered, defaced or removed. This warranty does not cover paint damage. Any modifications made by the user will render the warranty null and void. This warranty is expressly in lieu of all other warranties, and any implied are limited in duration to the same duration as the expressed warranty herein. Answer Products shall not be liable for any incidental or consequential damages.

If for any reason warranty work is necessary, return the fork to the place of purchase. In the USA, dealers should call Answer Products for a return authorization number (RA#). At that time instructions for repair, return, or replacement shall be given. Customers in countries other than USA should contact their dealer or local distributor.

INSTALLATION INSTRUCTIONS

Insure that the proper steer tube has been delivered on your SX. The steer tube may need to be cut to length to fit your bicycle head tube. If you are not familiar with this procedure or do not have the proper tools to cut the steer tube it is recommended that you seek a dealer with a qualified bicycle mechanic to perform installation.

! WARNING THE STEER TUBE AND STANCHIONS (INNER LEGS) ARE A ONE-TIME PRECISION PRESS FIT AT THE FACTORY AND CANNOT BE REMOVED FROM THE CROWN. REPLACEMENT OF THE ENTIRE CROWN/STEERER ASSEMBLY MUST BE DONE TO CHANGE STEER TUBE LENGTHS OR DIAMETERS. REMOVING AND REPLACING THE STEER TUBE OR STANCHIONS WILL RESULT IN AN UNSAFE CONDITION AND SHOULD NEVER BE DONE.

1. Remove old forks from bicycle.
2. Measure and cut the steer tube to fit your bicycle head tube.
3. Remove crown race from old forks and press onto SX steerer until seated on crown (Figure 1).
4. Clean and grease headset bearings and races of bicycle.
5. Install lower bearings on fork crown race.
6. Insert steer tube into head tube of frame.
7. Install upper bearings, spacers, and stem.
8. Install stem cap and screw, tighten until slack just disappears.
9. Install handlebars to desired height. Torque stem handlebar pinch screws and stem clamping system to manufacturer's instructions.
10. Install cantilever brakes and adjust per manufacturer's instructions.
11. Adjust front wheel quick release to clear the 0.275" (7 mm) thick secondary catch dropout. The quick release must be tightened after it is properly seated into the dropout counter bores. Insure that there is adequate thread engagement (4 or more threads with the release adjusted to lock) due to the wider adjustment. Install front wheel to bicycle per manufacturer's specification.
12. Install brake cable per manufacturer's instructions.

NOTE: All 2000 SX forks are equipped with a secondary catch dropout.

NOTE: The SX fork comes equipped with a hangerless arch. Brake cable hangers that attach to the arch are available through your dealer. Part number 85-3800, 2000 SX Brake Cable Hanger Kit. See Figure 2.

! WARNING WHEN INSTALLING WHEEL OR ANY NEW TIRE CHECK THE MINIMUM TIRE CLEARANCE. MEASURE FROM THE HIGHEST POINT ON THE TIRE TO THE BOTTOM OF THE CROWN. THE MINIMUM CLEARANCE ALLOWED IS: 3.20" (81 MM) FOR 80 MM TRAVEL FORKS. ANY LESS CLEARANCE CAN RESULT IN SERIOUS INJURY OR DEATH. FIGURE 3.

MAINTENANCE

IMPORTANT: The SX should not be used if any parts appear to be or are damaged. Contact your local dealer or Answer Products for replacement parts.

IMPORTANT: Use of fork boots is required to keep your SX performing well and your warranty in effect. Use of this fork with the boots removed will shorten the life, reduce the performance and void the warranty.

Your SX fork requires periodic maintenance, cleaning, and inspection. Moisture and contamination may build up inside the fork depending on the severity of riding conditions. To maintain top performance it is recommended that the fork be periodically disassembled, cleaned, dried and re-greased using the grease ports located on the back of each outer leg. (Figure 4).

IMPORTANT: When filling the fork with grease through the grease ports it is important to note the grease is being forced between the upper and lower bushings. If the area is overfilled the force of the grease may force the upper bushing and dust seal out.

IMPORTANT: Before every ride you should:

1. Ensure that quick release skewers are properly adjusted and tight.
2. Wipe the inner legs clean and check entire fork for any obvious damage.
3. Check headset slack.
4. Insure that the front brake cable is properly seated in the cable retainer and check brake adjustment.

IMPORTANT: Maintaining the proper oil level in your TPC is critical. Not enough oil will allow foaming and reduce the performance. Too much oil will restrict travel and may cause damage to the system and create an unsafe riding condition. Finish reading this entire section prior to making any changes to the oil level.

To check the oil level remove only the compression assembly located in the top of the right leg. Leave the left side compression stack (adjuster, MCU, spring assembly) in place to keep the fork fully extended. Use a tape measure or "dip stick" to determine the oil level. Oil level should be between 3.50" and 5.75" (89 mm and 146 mm) below the top of the crown where the damping assembly screws in. For all SX models with Lok-Out the oil level should be between 3.75" and 4.25" (95 mm and 108 mm). The recommended starting oil level is 4.00" (101 mm). Use SAE 5WT fork oil. (See Figure 5.)

ADJUSTING RIDE QUALITIES

SX TPC forks offer a wide adjustment range to suit individual riding preference and rider weight by simply changing the MicroCellular Elastomer (MCU's). Fine tune adjustments can be made using the preload adjusters located on top of the fork crown. Softer blue and harder yellow elastomers are available from your dealer.

NOTE: The 98 and 99 SX model forks use a compression stack in the right leg only; the 2000 model's compression stack is in the left leg. MCU's and springs used in pre-98 model Manitou forks are NOT interchangeable with later versions of Manitou forks.

Compression Spring Fine Tuning: Figure 6

Fine tuning adjustments to the spring rate are made by rotating the adjuster knobs located on top of the crown. Note all 2000 SX models use a compression spring system in the left leg only. The left knob for all SX forks is used to adjust preload. Rotating the knob clockwise will firm the ride, adding preload to the compression stack. Rotating the knob counter-clockwise will soften the ride. Four full revolutions will take the adjuster from full soft to the extreme firm setting.

Compression Damping Fine Tuning: Figure 7

The 2000 SX LT and SX have TPC sport which is not adjustable. To adjust the SX R simply rotate the compression damping knob located on top of the right leg and crown. Rotating the knob clockwise will increase the damping, rotating the knob counter-clockwise will reduce the damping. Excessive damping will give you a harsh ride over sharp bumps like rocky sections, but will feel good in large hits like G-outs. Insufficient compression damping will bottom out in the large hit G-outs and bob a little while climbing, but feel plush on the sharp hits. A correctly adjusted fork will perform well in all conditions.

Rebound Damping Fine Tuning: Figure 8

The 2000 SX LT and SX have TPC sport which is not adjustable. To adjust the SX R simply rotate the rebound damping knob located on the bottom of the right leg. Rotating the knob clockwise will increase the damping, rotating the knob counter-clockwise will reduce the damping. Excessive damping will give you a harsh ride over repetitive bumps (like breaking bumps) because the fork will pack up. Insufficient rebound damping will make the fork over active and top out. We suggest that you try adjusting your fork on the very active side, or minimum rebound. Then try it over a variety of terrain and tune in more rebound from there.

Figures 9, 10 and 11 are schematics of the SX LT, SX and SX R fork models.

Lok-Out System Kit P/N 85-8989: Figure 12

Lok-Outs are available for all SX models. By turning the knob 1/4 turn counter-clockwise, exposing the green sticker, the front fork will have regular TPC suspension. By turning the knob 1/4 turn clockwise, exposing the red sticker, the fork will be locked out. A safety blow-off valve will open under extreme conditions to allow some movement. To adjust the compression damping when not using the Lok-Out, remove the compression damping assembly from the top of the right leg. Adjust the setscrew (see exploded view), located in the valve seat, in to increase the damping and out to reduce the compression damping. Try adjusting 1/2 turn at a time. ■

BUSHING & SEAL DETAIL

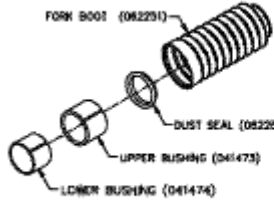
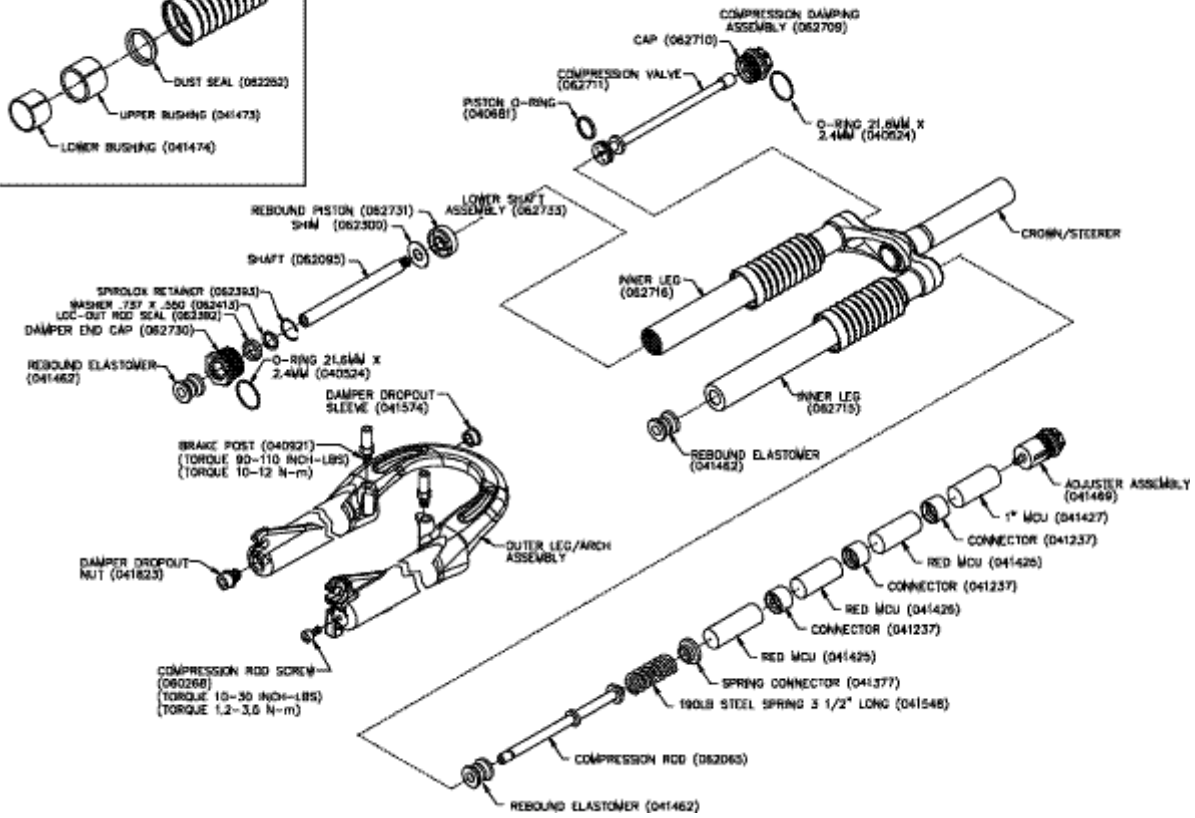


FIGURE 9: 2000 SX LT FORK SCHEMATIC



BUSHING & SEAL DETAIL

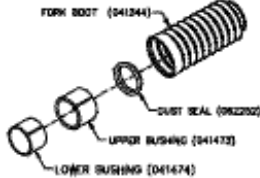


FIGURE 10: 2000 SX FORK SCHEMATIC

